

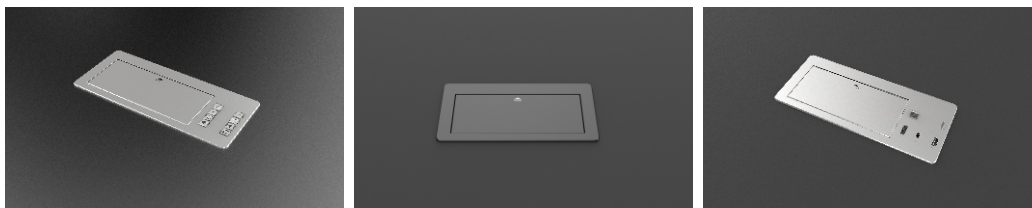


Multiple Purpose Control Cubby



Keywords

- *Anodized aluminium cover plate*
- *Flexible configurations*
- *Ultra-silence for opening system*
- *Tailor-made exterior and icon for control buttons*
- *Self-defined button via RS232*
- *HDBaseT support HDMI/DP/Type C max. 70m/100m signal transfer*
- *Support 4K/1080P 30Hz, 3D, 36bit*
- *PoC power supply*
- *RS232 two-way data transfer*



- Socket module

power outlet	Universal, EU, GB, US, AU, BR, SA, FR, IT, SW, per order
available connector	HDMI, VGA, USB A, USB A charging, Type C, DP, CAT6, Type C charging, XLR, USB AC charging, DVI, 3.5Audio
	HDMI retractor, CAT6 retractor, 3.5Audio retractor
	CAT6 retractor, USB A retractor, Type C retractor

- Central control module

protocol	RS232
relay	2A 30V DC, 0.3A 125V AC
power supply	12V 1A
mini USB	connect to PC for software telecom

- HDBaseT signal switch module

signal input	HDMI, DP, Type C
signal transfer distance	HDMI 70m max. DP, Type C 100m max.
resolution	4K, 1080P 30Hz, 3D, 36bit
power supply	PoC, DC 12V
RS232 data transfer	two-way
LED indicate light	signal switch

- Housing

cover plate	anodized aluminium
finishing	black/silver, matt/brushed customization available
G.W.	1.75kgs
packing dimension	360*210*200mm
temperature	working 0°C~+50°C, storage -20°C~+60°C
humidity	working ≤90%, storage ≤90%

- Accessory

power cord	installation clamp
------------	--------------------

Above specifications are subject to change without prior notice, explanation right reserved.



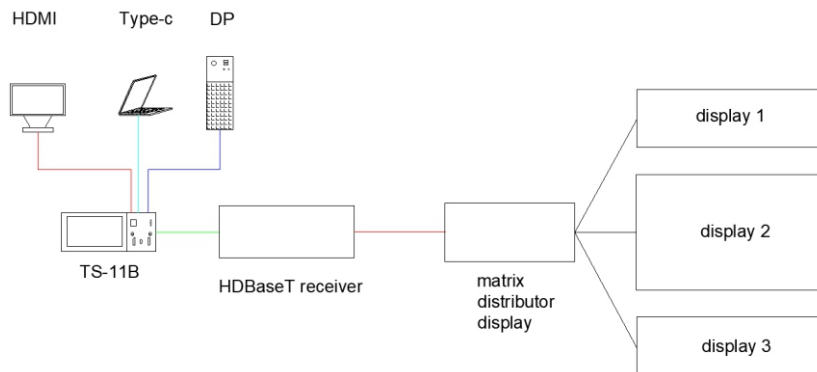
Central control module



HDBaseT signal switch module



- DP
- USB-C
- HDMI
- HDBT LINK

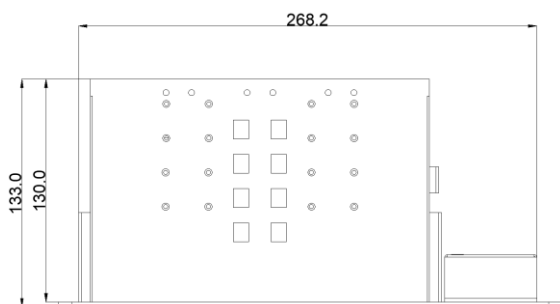
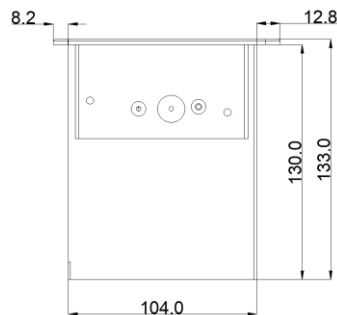
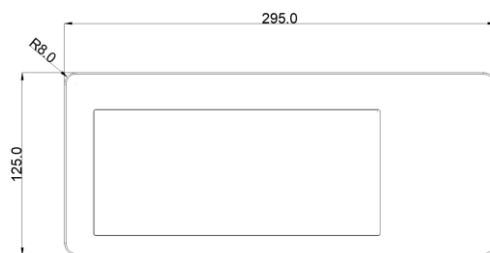
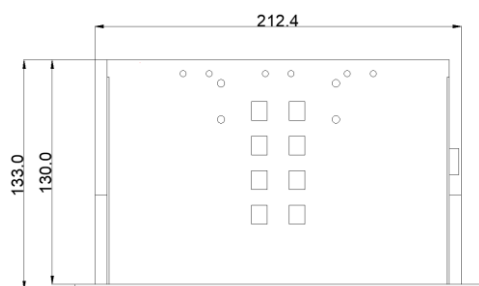
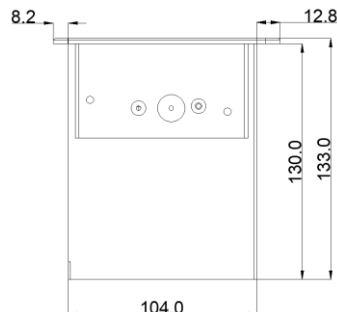
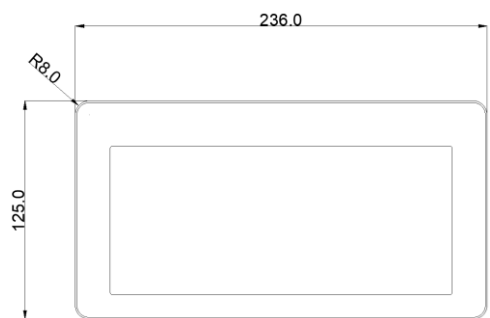


Warranty

1 year by default, effective from delivery date
 price increase 3% when extend to 2years
 price increase 5% when extend to 3years
 price increase 10% when extend to 5years



Dimensions



Above dimensions for reference and subject to change, please double confirm.

